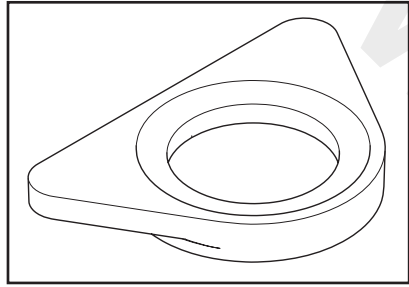
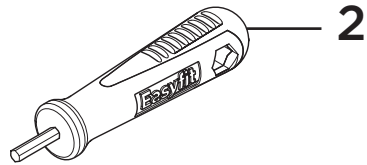


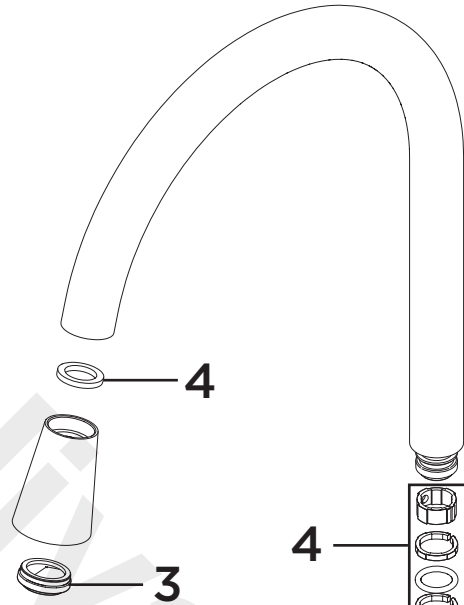
Product Code: CHM EFSNK C
Revision: D3



1



2



4



3

4

1	Reinforcing Plate
2	EasyFit Tool
3	Anti-Splash Assembly
4	Spout Seals Kit
5	35mm Cartridge
6	Cartridge Retaining Nut
7	Shroud
8	Handle Assembly
9	Plinth & O-Ring
10	M5 x 8mm Grub Screw
11	EasyFit Pack
12	Isolation Valves (Pair)
13	Molykote Grease
14	1/2" BSP Flexible Tails (Pair)

10

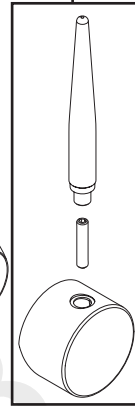
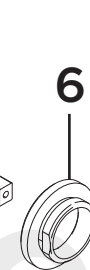
9

5

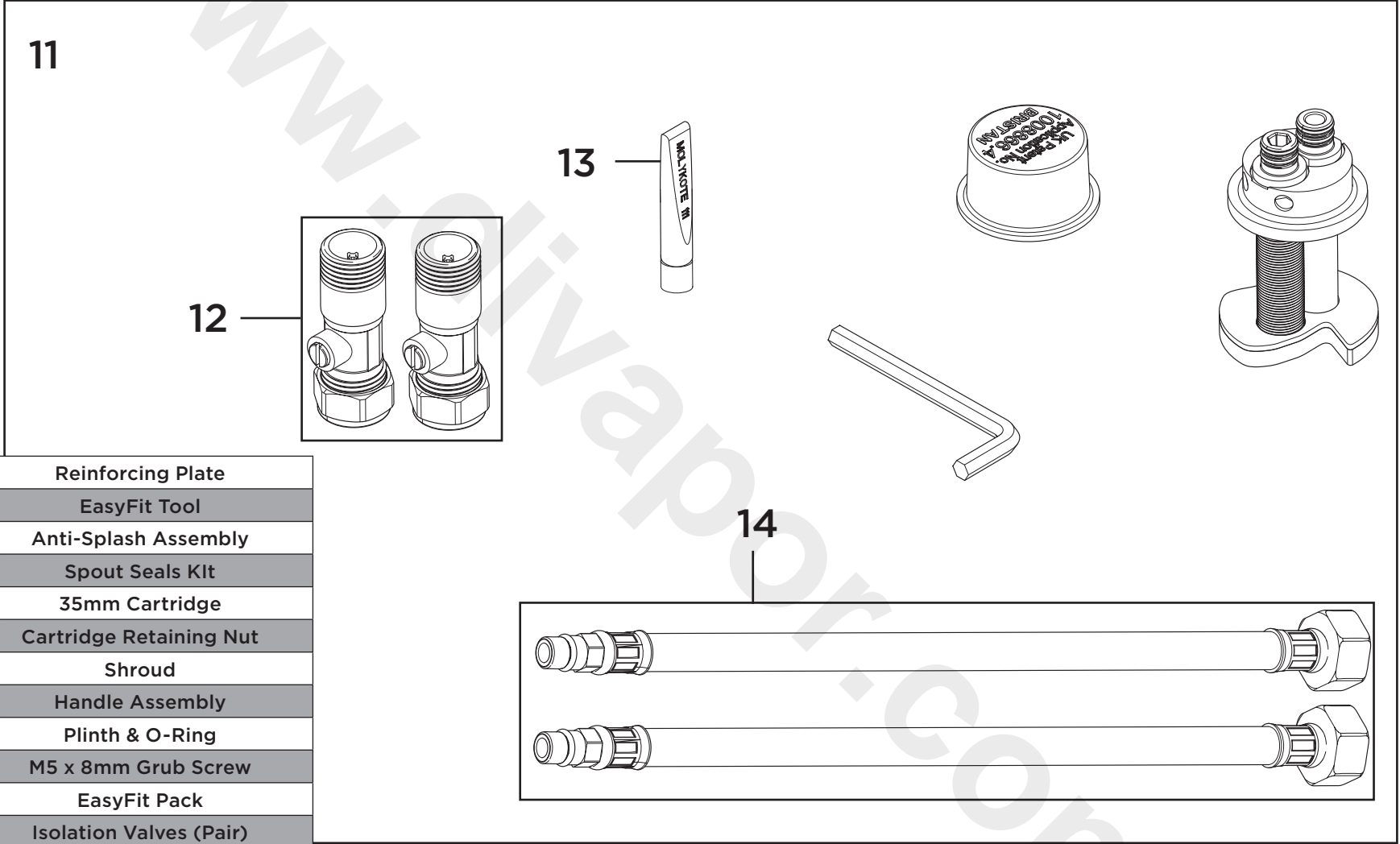
6

7

8



Product Code: CHM EFSNK C
Revision: D3



1	Reinforcing Plate
2	EasyFit Tool
3	Anti-Splash Assembly
4	Spout Seals Kit
5	35mm Cartridge
6	Cartridge Retaining Nut
7	Shroud
8	Handle Assembly
9	Plinth & O-Ring
10	M5 x 8mm Grub Screw
11	EasyFit Pack
12	Isolation Valves (Pair)
13	Molykote Grease
14	1/2" BSP Flexible Tails (Pair)